



- Original and unique design yet compatible with most popular cutouts.
- Unique weather resistant grip gasket with slip free texture & design.
- Corrosion resist and Cover plates in SS316.
- Corrosion Resistant SS fasteners.
- Range available with all stainless steel parts.
- Range available for thick & large sized doors.
- Hand Rail is available in Hairline / Brush, Satin and Mirror finish.

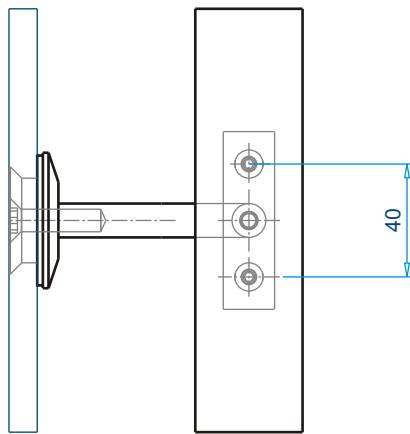
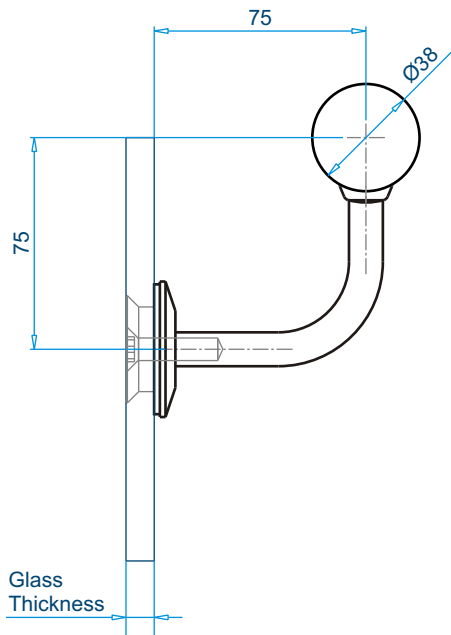


**HRM38**

HRM38

SS316 ■

Ord Nr. : M25831



HRM38

Accessories

Tools



ALLEN 3

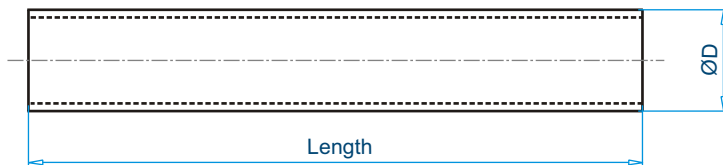
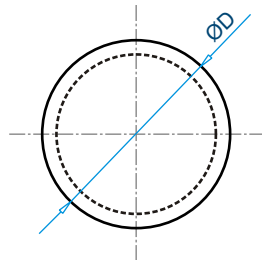


ALLEN 5

# HAND RAIL PIPE

SS316 ■

Ord Nr. : M26840



Note :- Pipe Dia (D) =  $\varnothing 33$ ,  $\varnothing 38$ ,  $\varnothing 50$  or as per customer requirement

Accessories to be ordered separately.

## Accessories



End Cap  
Ord Nr. M50404



Connector  
Ord Nr. M50411

## Tools